

## MLT TENSIONING NARROW NOSE TOOL

© Panduit Corp. 2012

### INTRODUCTION

The RT2HTN Tool installs Panduit Pan-Steel coated and uncoated MLTEH (Extra Heavy Cross Section), MLTEH15 (Extra Heavy Cross Section .015" Thick Body), and MLTSH (Super Heavy Cross Section .015" and .025" Thick Body) stainless steel ties.

**Note:** This tool is not intended for other uses such as cutting or tensioning other types of fastening devices.

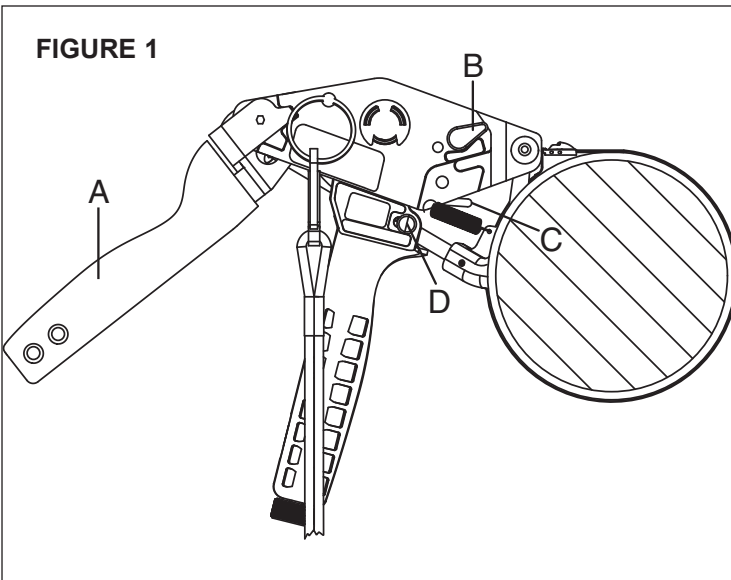
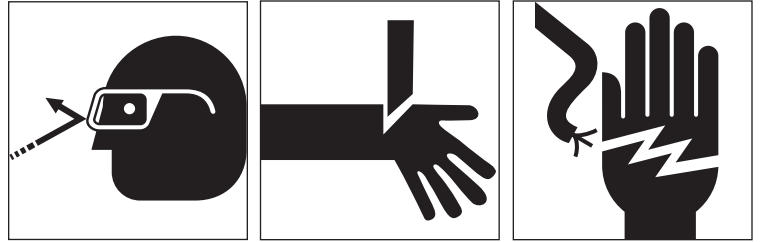


FIGURE 1

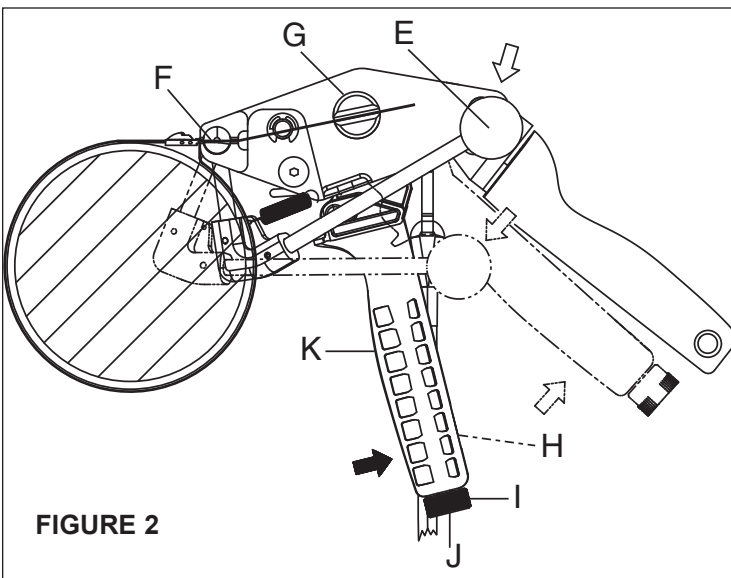


FIGURE 2

### TOOL FEATURES

- A. Rear Handle
- B.\* Tension Pawl Release - Knob pointing towards the front of tool for pawl engagement and to rear of tool for disengagement.
- C.\* Anti-Backup Pawl Release - Lever up against tool for pawl engagement and pulled down to disengage pawl.
- D.\* Detent Lock Pins - For controlled tension, pull both pins forward; for manual tension, push both pins backward.
- E. Cutter Lever - Cuts tie when tie is tensioned properly.
- F. Cutter Blade
- G. Tensioning Mandrel
- H.\* Tension Indicator Window - Located on the back of front handle.
- I.\* Adjustment Knob - Adjust tension of tie application and lock to desired tension with tension locking screw.
- J. Tension Locking Screw
- K. Front Handle - With ratchet controlled tensioning.

\* See Page 2 for Feature Detail

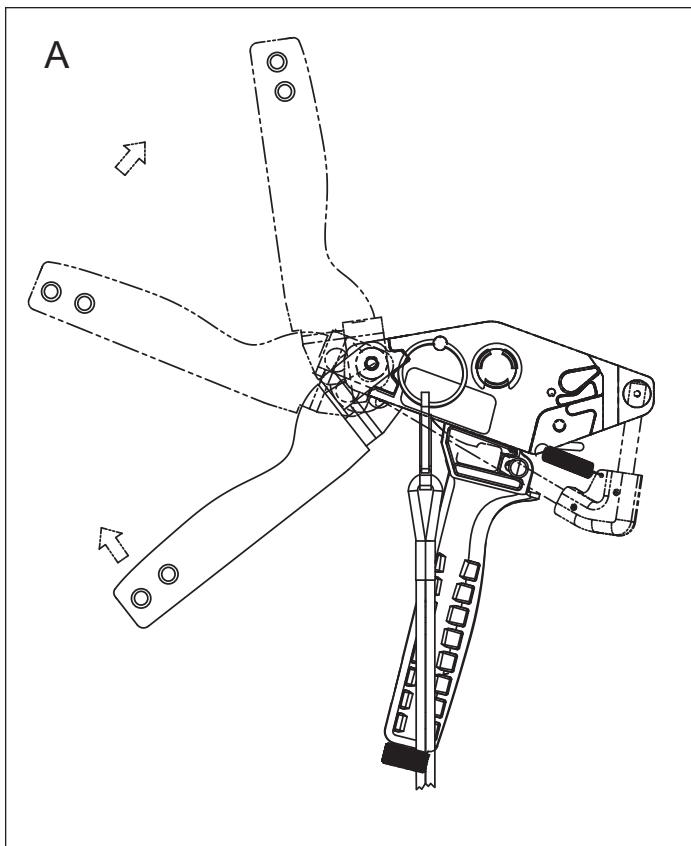
### TOOL OPERATION

1. Loop tie around bundle, thread tie into nose of tool and through slot of tensioning mandrel.
2. Pull front handle to tension tie. Under controlled tension, the front handle will break free when pre-determined tension is attained.
3. Push cutter lever downward to cut tie.
4. Remove cut-off portion of tie from tool.

### TOOL MAINTENANCE

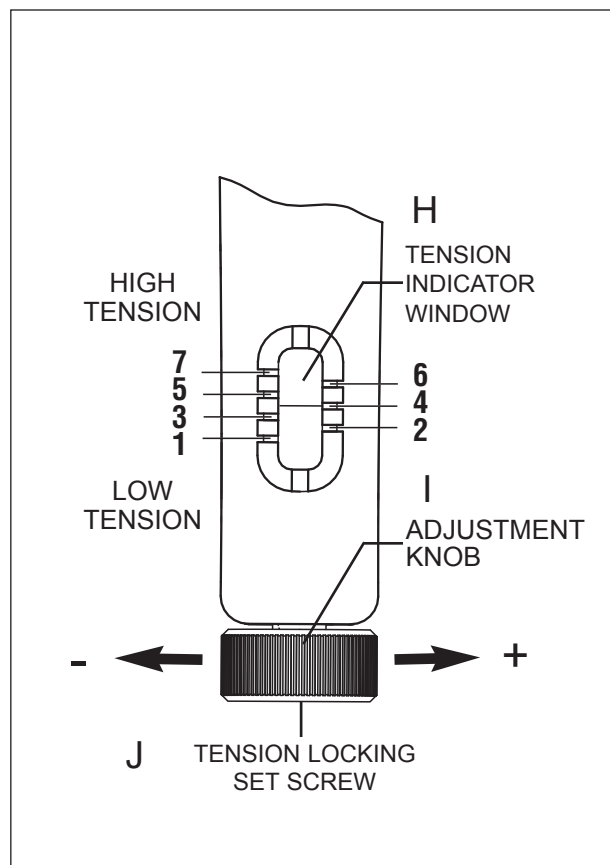
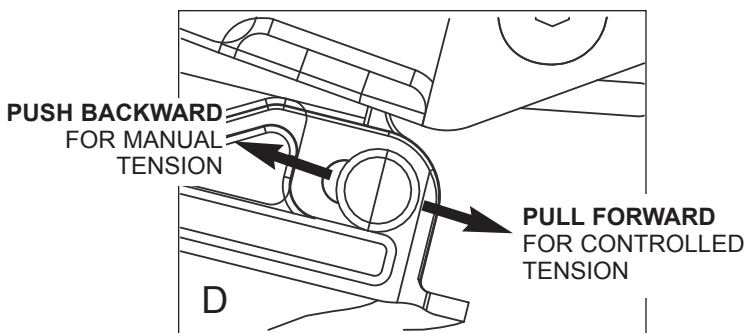
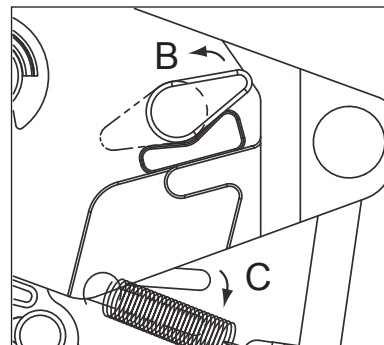
TO INHIBIT CORROSION AND MAINTAIN PERFORMANCE OF THE TOOL, KEEP THE METAL SURFACES COATED WITH A LIGHT OIL (WD-40® OR EQUIVALENT).

MULTI-POSITION HANDLE  
ALLOWS ACCESS TO TIGHT AREAS.



### TROUBLESHOOTING

TO RELEASE AND REMOVE TIE FROM TOOL BEFORE CUTTING, DISENGAGE BOTH KNOB AND LEVER.



TIE SIZE	SETTING
1/2" (EH) TIE	1 – 2
1/2" (EH15) TIE	1 – 4
5/8" (SH) TIE	1 – 7